

VACUUM TABLE TOP

Models | 250 | 350 | 350D | 380 | 380T

ROBUST

This stainless steel product features quality components, including the highly reliable Busch pump.

EASY TO USE

The machine's digital display and diagnostics option make it easy to use; only two steps are required!

CERTIFIED

The Sipromac vacuum packaging machines are ETL LISTED, CSA certified and conform to UL STD. They are designed for easy cleaning and comply with the industry's highest hygiene and food safety standards.

WHY SHOULD YOU VACUUM PACK ?

- 1 To reduce spoilage by removing air from the package resulting in much longer shelf life;
- 2 To prevent dehydration;
- 3 For ease of handling;
- 4 To slow down oxidation;
- 5 To protect against external contamination.



MODELS 250, 350 AND 350D

		250	350	350D
SEAL BARS	Length	A 12.5" (319 mm)	19.1" (485 mm)	19.1" (485 mm)
	Qty	1	1	2
	Distance to back	B 13.1" (333 mm)	15.4" (391 mm)	N/A
	Distance between	C N/A	N/A	13.1" (333 mm)
CHAMBER DIMENSIONS	Height	4" (102 mm)	6.8" (172 mm)	6.8" (172 mm)
BUSCH PUMP	Std.	8 m ³ 0.35 kW	20 m ³ 0.9 kW	20 m ³ 0.9 kW
	Width	E 17" (430 mm)	23" (585 mm)	23" (585 mm)
MACHINE DIMENSIONS	Depth	F 20.7" (525 mm)	23.7" (602 mm)	23.7" (602 mm)
	Height	G 17.2" (436 mm)	19.7" (500 mm)	19.7" (500 mm)
ELECTRICITY		120 V / 1 pH / 60 Hz	120 V / 1 pH / 60 Hz	120 V / 1 pH / 60 Hz
MICROPROCESSOR		MC-40	MC-40	MC-40

VACUUM TABLE TOP

Models | 250 | 350 | 350D | 380 | 380T



MODELS 380 AND 380T

		380	380T
SEAL BARS	Length	A 12.5" (319 mm)	12.5" (319 mm) & 32.2" (817 mm)
	Qty	2	3
	Distance to back	B N/A	12" (306 mm)
	Distance between	C 36.1" (918 mm)	36.1" (918 mm)
CHAMBER DIMENSIONS	Height	6.8" (172 mm)	6.8" (172 mm)
BUSCH PUMP	Std.	20 m ³ 0.9 kW	20 m ³ 0.9 kW
	Width	E 42.9" (1,090 mm)	42.9" (1,090 mm)
MACHINE DIMENSIONS	Depth	F 25.5" (648 mm)	25.5" (648 mm)
	Height	G 19.2" (487 mm)	19.2" (487 mm)
	ELECTRICITY	120 V / 1 pH / 60 Hz	120 V / 1 pH / 60 Hz
MICROPROCESSOR		MC-40	MC-40

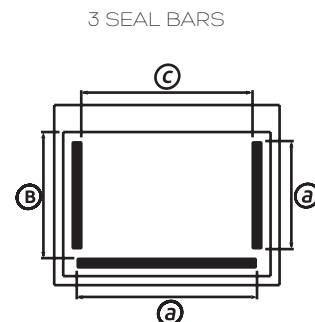
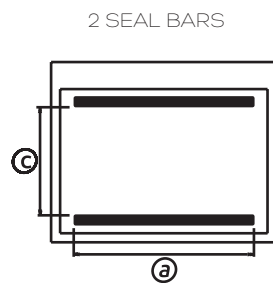
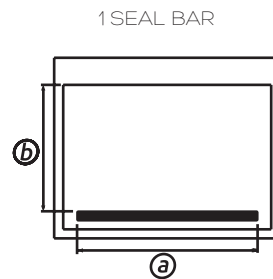
BASIC FEATURES

- Table top single chamber
- Stainless steel construction
- Clear (see-through) lid
- Twin seal element
- Vacuum sensor - Vacuum level controlled in percentage, directly with Microprocessor
- Filler plates
- Cover latch
- Feet
- Rear panel
- Crate
- Certification: ETL listed C & US (CSA & UL)
- Certification: ETL Sanitation Listed (NSF)

OPTIONAL FEATURES

- Electric cut-off - Two wire seal system: outside wire cuts off excessive part of bag
- Modified atmosphere packaging (MAP) - Increases the product's shelf life, provides extra protection, prevents colouring
- Air regulator - Regulates air pressure in the seal bars bladders with compressed air (not included)
- Adjustable venting system - Controlled decompression of the vacuum chamber
- Stainless steel tilted insert for liquid products
- Silencer
- Stainless Steel cart
- Other voltages available
- Service kit for standard maintenance

All features are subject to change without notice.



MC-40

